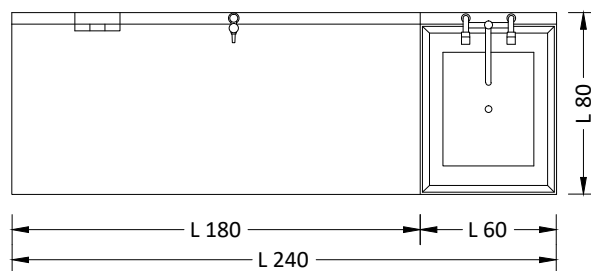
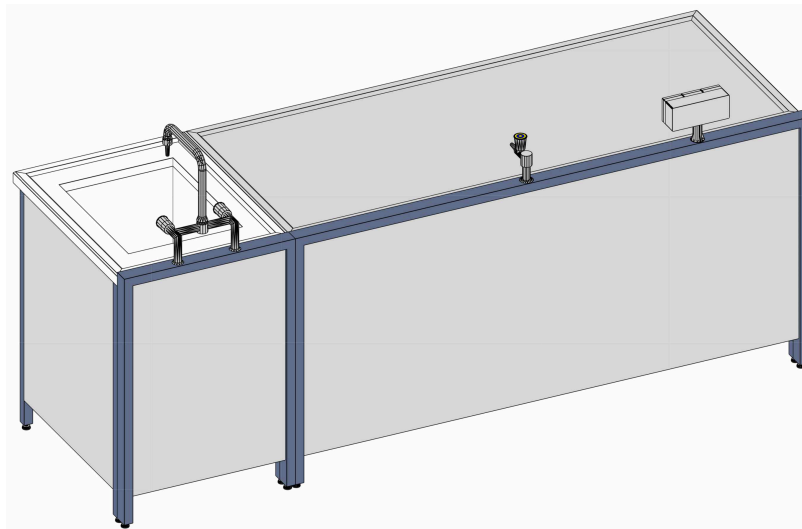
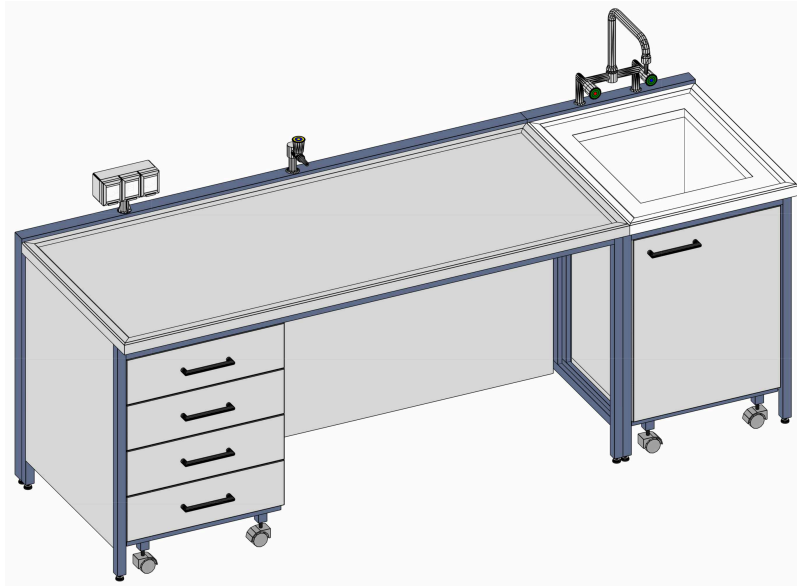


SCO **BANCO CATTEDRA con CASSETTIERA**

Centrale
Central

Teacher desk with chest of 4 drawers

Certificati / Certificates: EN 13150 / EN 61010-1

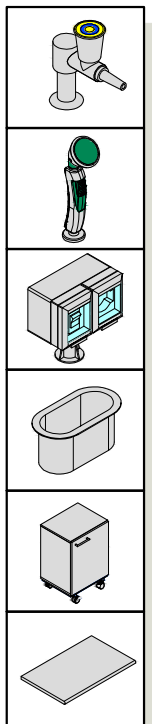


- MA90BC240L** - 240x80xh90 **Piano laminato + lav. polipropilene /** Laminate top + polypropylene sink
MA90BC240M - 240x80xh90 **Piano monolitico + lav. polipropilene /** Monolithic top + polypropylene sink
MA90BC240S - 240x80xh90 **Piano stratificato + lav. polipropilene /** Compact stratified laminate top + polypropylene sink

BANCHI SCOLASTICI
School laboratory benches

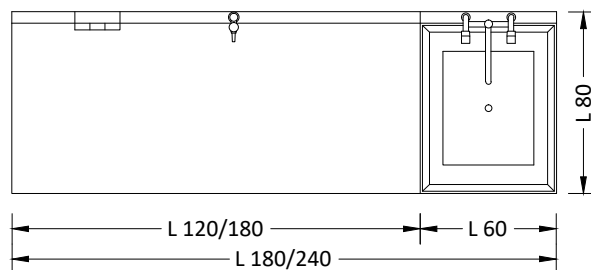
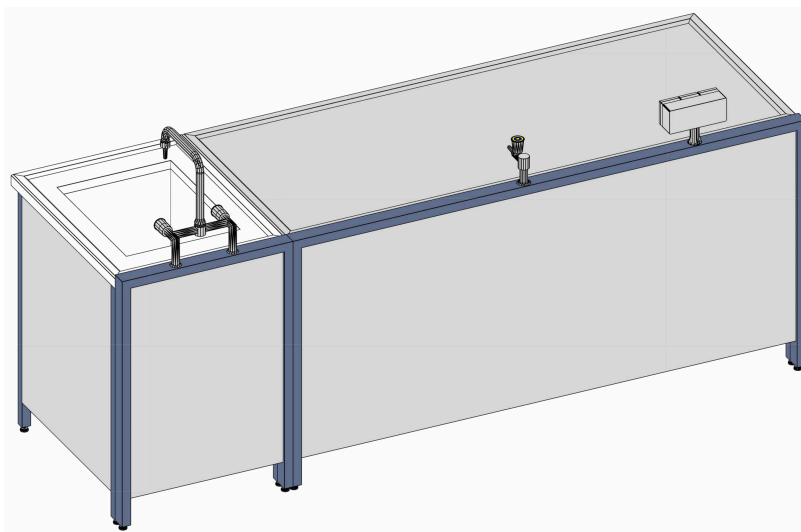
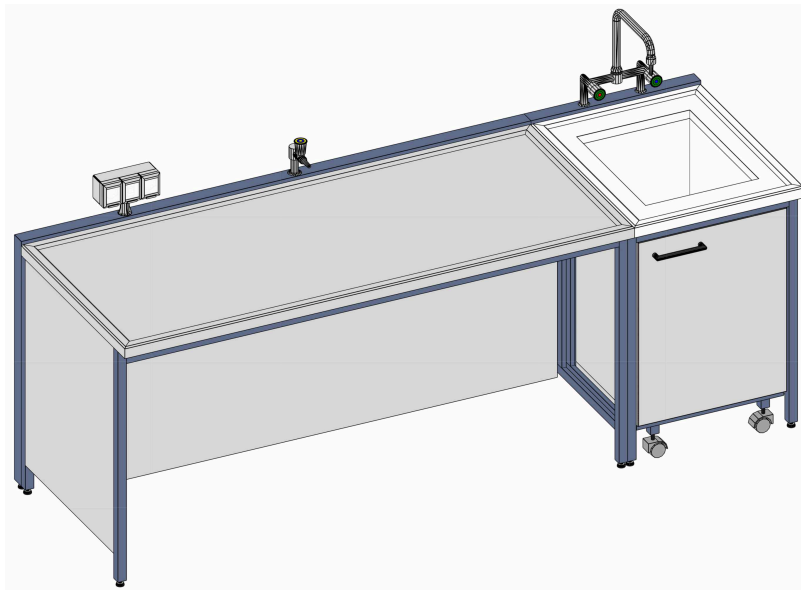
MA90

Accessori
Accessories:



SCO **BANCO CATTEDRA**
Centrale
Central **Teacher desk**

Certificati / Certificates: EN 13150 / EN 61010-1

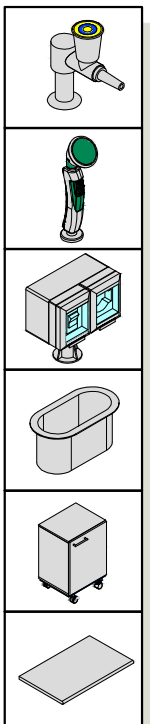


- | | |
|---------------------------------|---|
| MA90BC180L - 180x80xh90 | Piano laminato + lav. polipropilene / Laminate top + polypropylene sink |
| MA90BC180M - 180x80xh90 | Piano monolitico + lav. polipropilene / Monolithic top + polypropylene sink |
| MA90BC180S - 180x80xh90 | Piano stratificato + lav. polipropilene / Compact stratified laminate top + polypropylene sink |
| MA90BC240XL - 240x80xh90 | Piano laminato + lav. polipropilene / Laminate top + polypropylene sink |
| MA90BC240XM - 240x80xh90 | Piano monolitico + lav. polipropilene / Monolithic top + polypropylene sink |
| MA90BC240XS - 240x80xh90 | Piano stratificato + lav. polipropilene / Compact stratified laminate top + polypropylene sink |

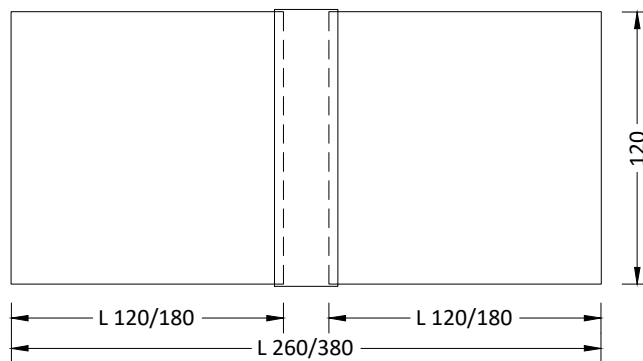
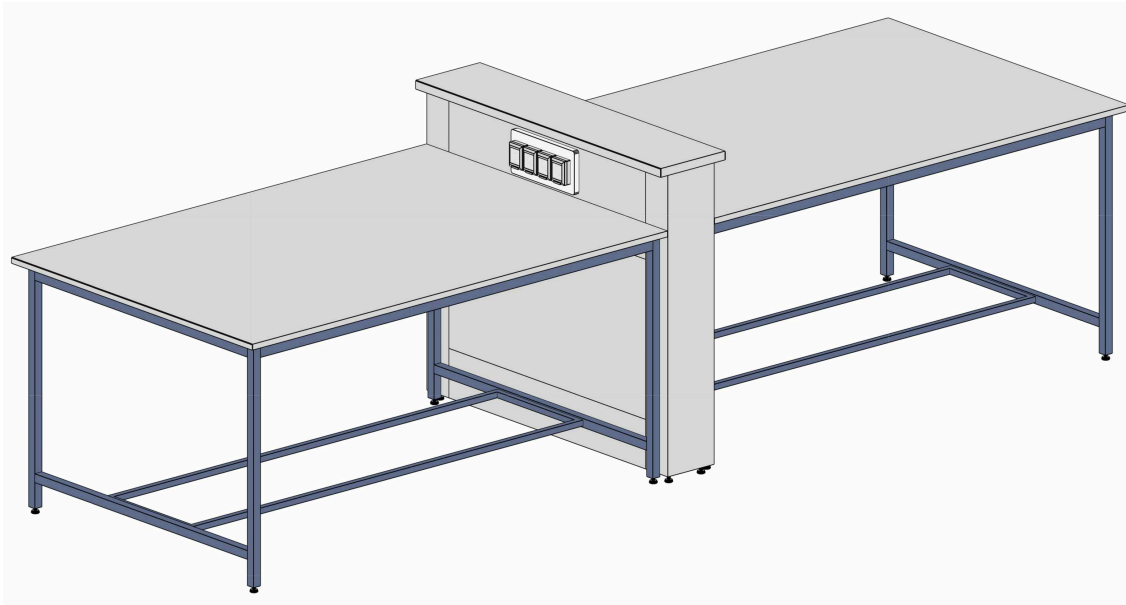
BANCHI SCOLASTICI
School laboratory benches

MA90

Accessori
Accessories:



Certificati / Certificates: EN 13150 / EN 61010-1

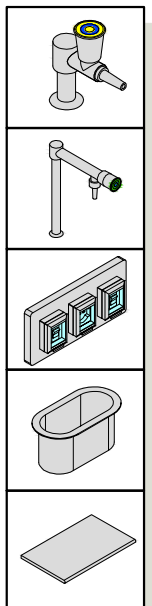


- | | | |
|-------------------|--|---|
| MA90BA260L | (8 Studenti/Students) - 260x120xh90/110 | Piano laminato / Laminate top |
| MA90BA260M | (8 Studenti/Students) - 260x120xh90/110 | Piano monolitico / Monolithic top |
| MA90BA260S | (8 Studenti/Students) - 260x120xh90/110 | Piano stratificato / Compact stratified laminate top |
| MA90BA380L | (12 Studenti/Students) - 260x120xh90/110 | Piano laminato / Laminate top |
| MA90BA380M | (12 Studenti/Students) - 260x120xh90/110 | Piano monolitico / Monolithic top |
| MA90BA380S | (12 Studenti/Students) - 260x120xh90/110 | Piano stratificato / Compact stratified laminate top |

BANCHI SCOLASTICI
School laboratory benches

MA90

Accessori
Accessories:

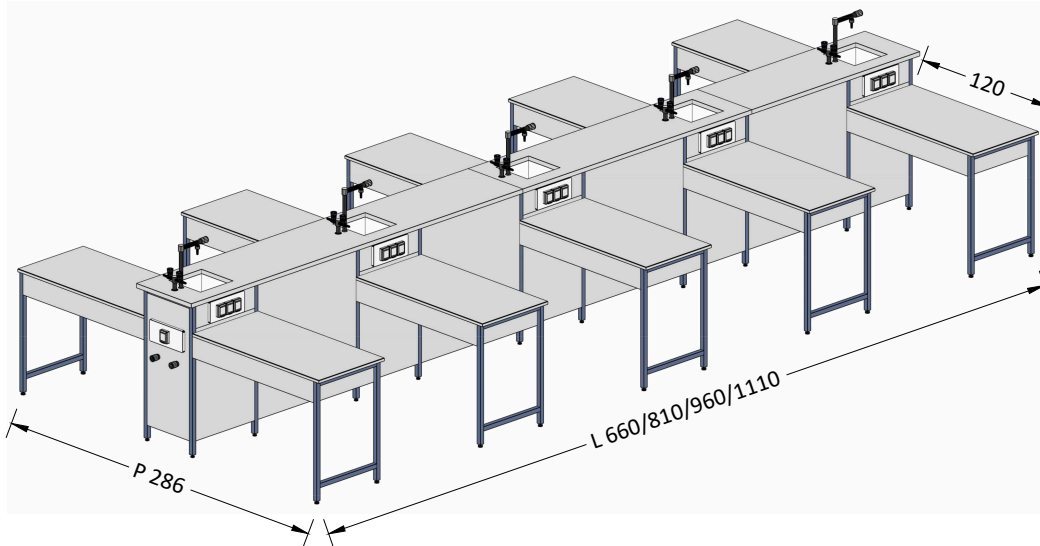


SCO BANCHE a PETTINE (2 studenti per banco)

Centrale
Central

School laboratory bench (two students for every bench unit)

Certificati / Certificates: EN 13150 / EN 61010-1



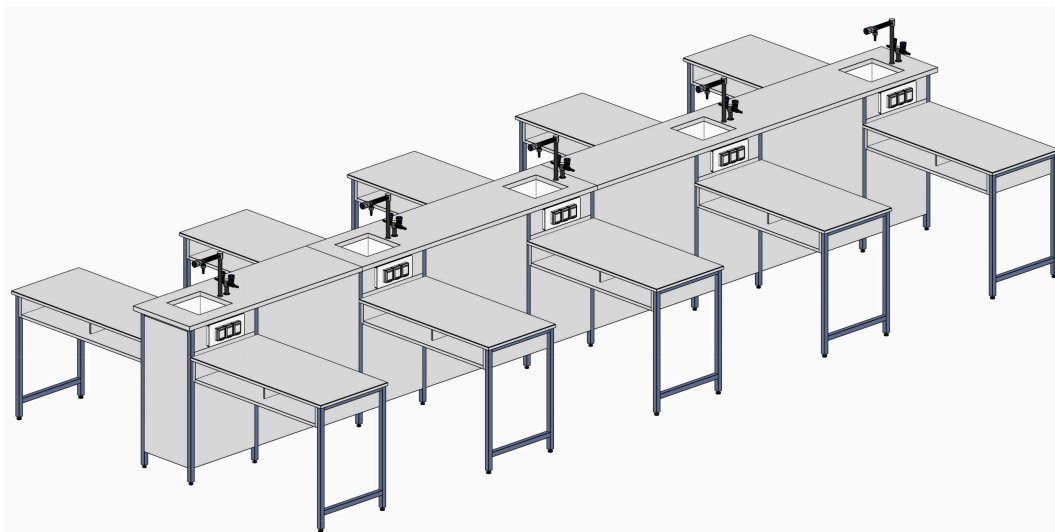
PIANO / Top
Piano laminato / Laminated top
Piano monolitico / Monolithic top
Piano laminato stratificato / Compact stratified laminate top

Legenda:

20 Studenti - 10 Tavoli - L= cm 660
24 Studenti - 12 Tavoli - L= cm 810
28 Studenti - 14 Tavoli - L= cm 960
32 Studenti - 16 Tavoli - L= cm 1110

Legend:

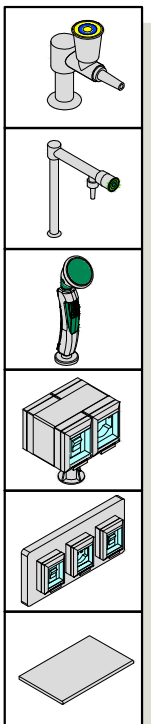
20 Students - 10 Tables - L= cm 660
24 Students - 12 Tables - L= cm 810
28 Students - 14 Tables - L= cm 960
32 Students - 16 Tables - L= cm 1110



BANCHI SCOLASTICI
School laboratory benches

MA90

Accessori
Accessories:

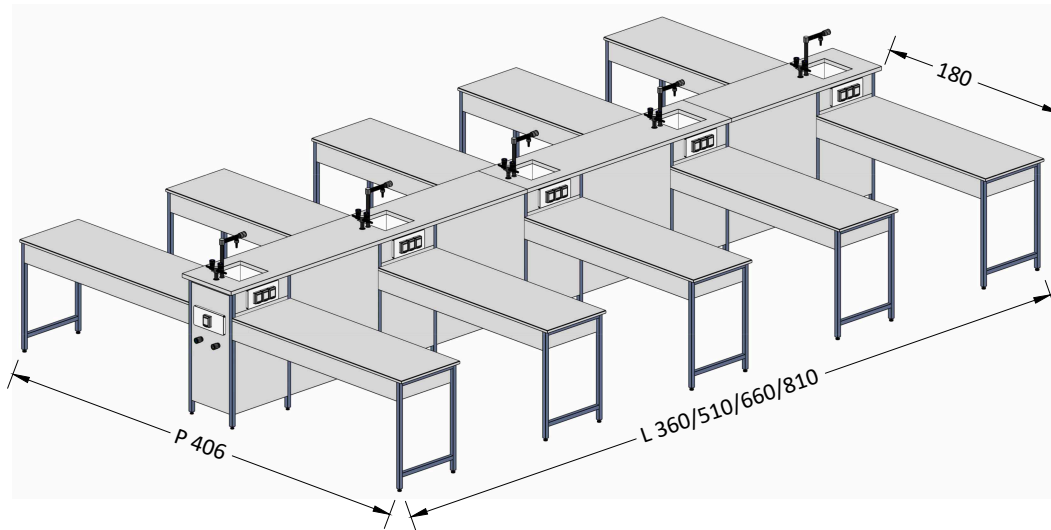


SCO BANCHE a PETTINE (3 studenti per banco)

Centrale
Central

School laboratory bench (three students for every bench unit)

Certificati / Certificates: EN 13150 / EN 61010-1



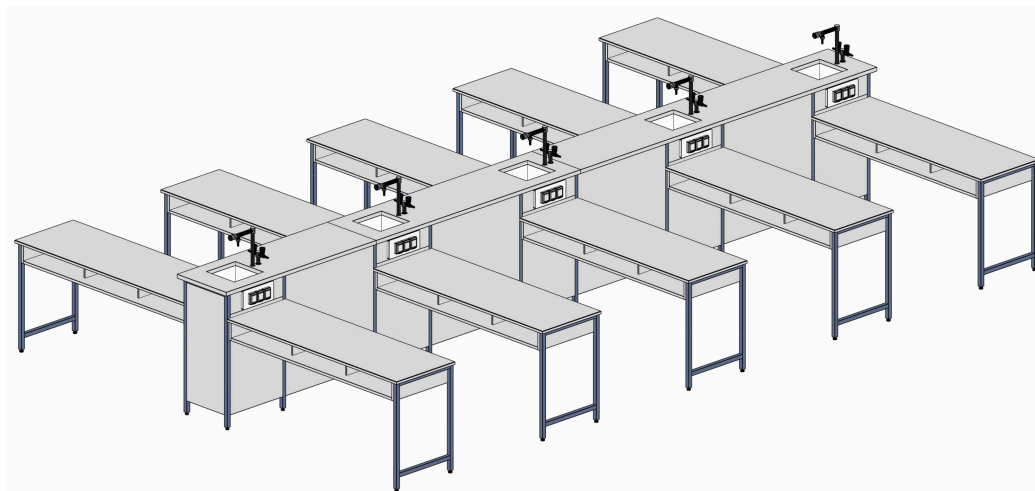
PIANO / Top
Piano laminato / Laminated top
Piano monolitico / Monolithic top
Piano laminato stratificato / Compact stratified laminate top

Legenda:

18 Studenti - 6 Tavoli - L= cm 360
24 Studenti - 8 Tavoli - L= cm 510
30 Studenti - 10 Tavoli - L= cm 660
36 Studenti - 12 Tavoli - L= cm 810

Legend:

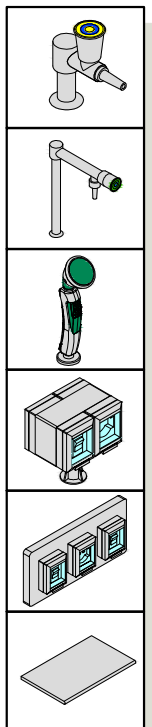
18 Students - 6 Tables - L= cm 360
24 Students - 8 Tables - L= cm 510
30 Students - 10 Tables - L= cm 660
36 Students - 12 Tables - L= cm 810



BANCHI SCOLASTICI
School laboratory benches

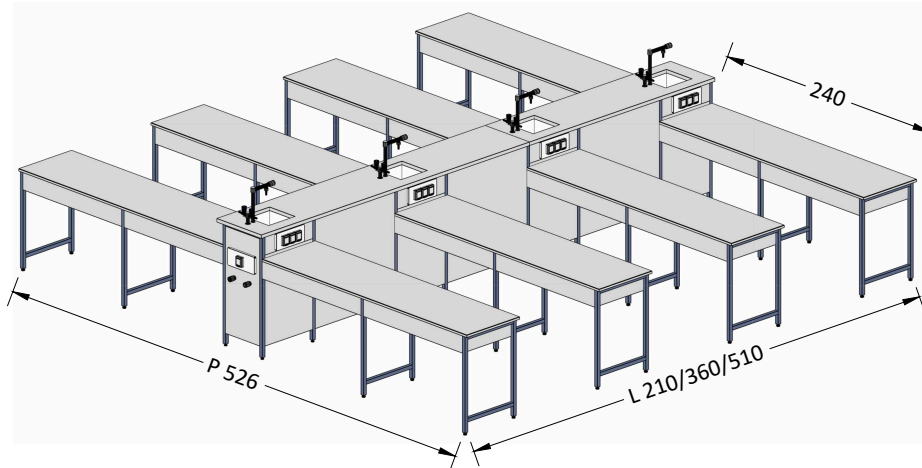
MA90

Accessori
Accessories:



SCO **BANCO a PETTINE** (4 studenti per banco) School laboratory bench (four students for every bench unit)

Certificati / Certificates: EN 13150 / EN 61010-1



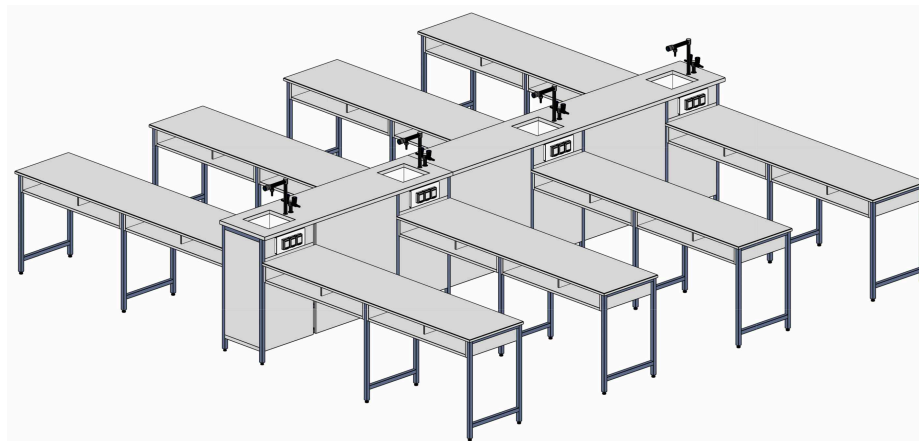
PIANO / Top
Piano laminato / Laminate top
Piano monolitico / Monolithic top
Piano laminato stratificato / Compact stratified laminate top

Legenda:

16 Studenti - 4 Tavoli - L= cm 210
24 Studenti - 6 Tavoli - L= cm 360
32 Studenti - 8 Tavoli - L= cm 510

Legend:

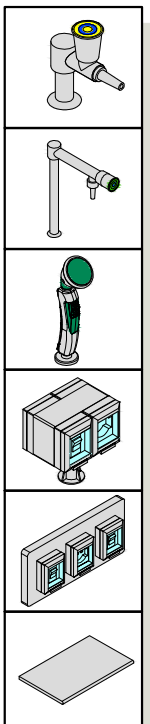
16 Students - 4 Tables - L= cm 210
24 Students - 6 Tables - L= cm 360
32 Students - 8 Tables - L= cm 510



BANCHI SCOLASTICI
School laboratory benches

MA90

Accessori
Accessories:

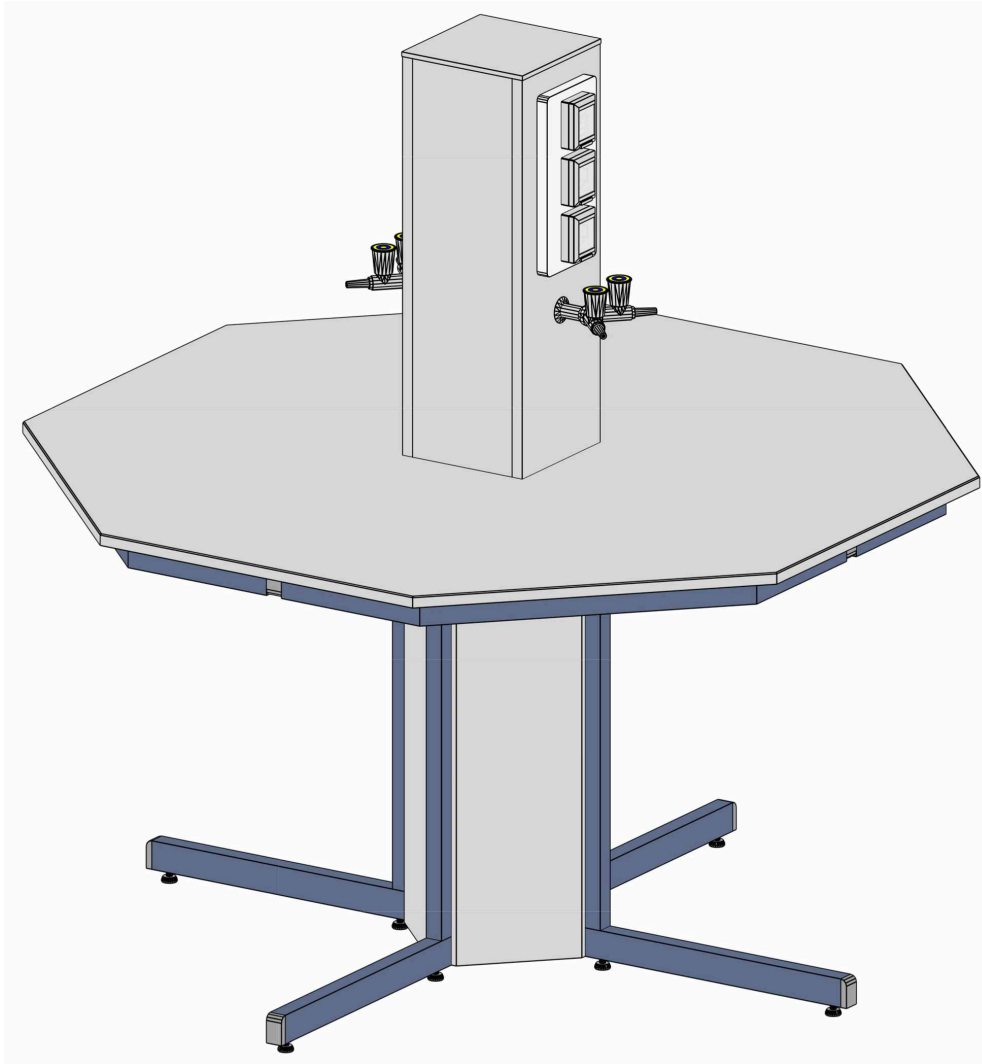


SCO BANCO OTTAGONALE

Centrale
Central

Octagonal bench

Certificati / Certificates: EN 13150 / EN 61010-1

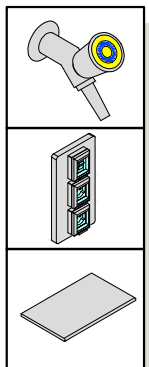


- | | |
|------------------------------------|---|
| MA906502L - 150x150xh90/175 | Piano laminato / Laminate top |
| MA906502M - 150x150xh90/175 | Piano monolitico / Monolithic top |
| MA906502S - 150x150xh90/175 | Piano stratificato / Compact stratified laminate top |

BANCHI SCOLASTICI
School laboratory benches

MA90

Accessori
Accessories:



SCO **BANCO ESAGONALE DIDATTICO H90**

Centrale
Central

Hexagonal educational bench h90

Certificati / Certificates: EN 13150 / EN 61010-1



MA906602L - 150x130xh90
MA906602M - 150x130xh90
MA906602S - 150x130xh90

Piano laminato / Laminate top
Piano monolitico / Monolithic top
Piano stratificato / Compact stratified laminate top

BANCHI SCOLASTICI
School laboratory benches

MA90

Accessori
Accessories:

