

# Cap CONTROLLO ASPIRAZIONE CAPPA MA95FLOW

Accessori FLOW  
Accessories FLO

## Hood aspiration control MA95FLOW

Certificati / Certificates: EN 14175

### SISTEMA DI CONTROLLO E REGOLAZIONE VELOCITA' FLUSSI ASPIRANTI, DEDICATO A CAPPE CHIMICHE

Fume hoods flow aspiration speed control and adjustment



#### LEGENDA:

- 1 - Apertura e chiusura saliscendi automatico
- 2 - Aspirazione massima
- 3 - On / Off
- 4 - Il tasto Esc permette di uscire dal menù o sottomenù di configurazione
- 5 - Tasti frecce
- 6 - Display LCD
- 7 - Luce cappa
- 8 - Tacitazione allarme acustico

#### LEGEND:

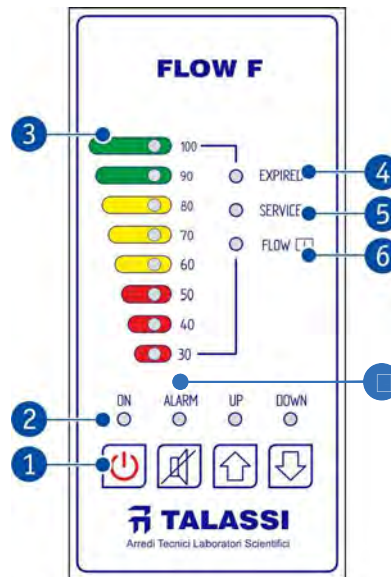
- 1 - Command buttons to raise and lower the sash
- 2 - Maximum aspiration
- 3 - On / Off
- 4 - ESC key enable to exit from the menu or submenu configurations
- 5 - Arrows keys
- 6 - LCD display
- 7 - Light switch
- 8 - Alarm silencer

# Cap CONTROLLO FILTRI MA95FLOW

Accessori FLOW Filter saturation control  
Accessories FLO

## SISTEMA DI CONTROLLO EFFICIENZA SISTEMI FILTRATI, DEDICATO A: CAPPE CHIMICHE, ARMADI ASPIRATI

Efficiency control of filters systems, dedicated to: chemical hoods and aspired cabinets



### LEGENDA:

- 1/2 - On / Off
- 3 - Misura rilevata
- 4 - Scadenza filtri
- 5 - Superamento ore di lavoro
- 6 - Differenza pressione oltre il limite impostato
- 7 - Tacitazione allarme acustico

### LEGEND:

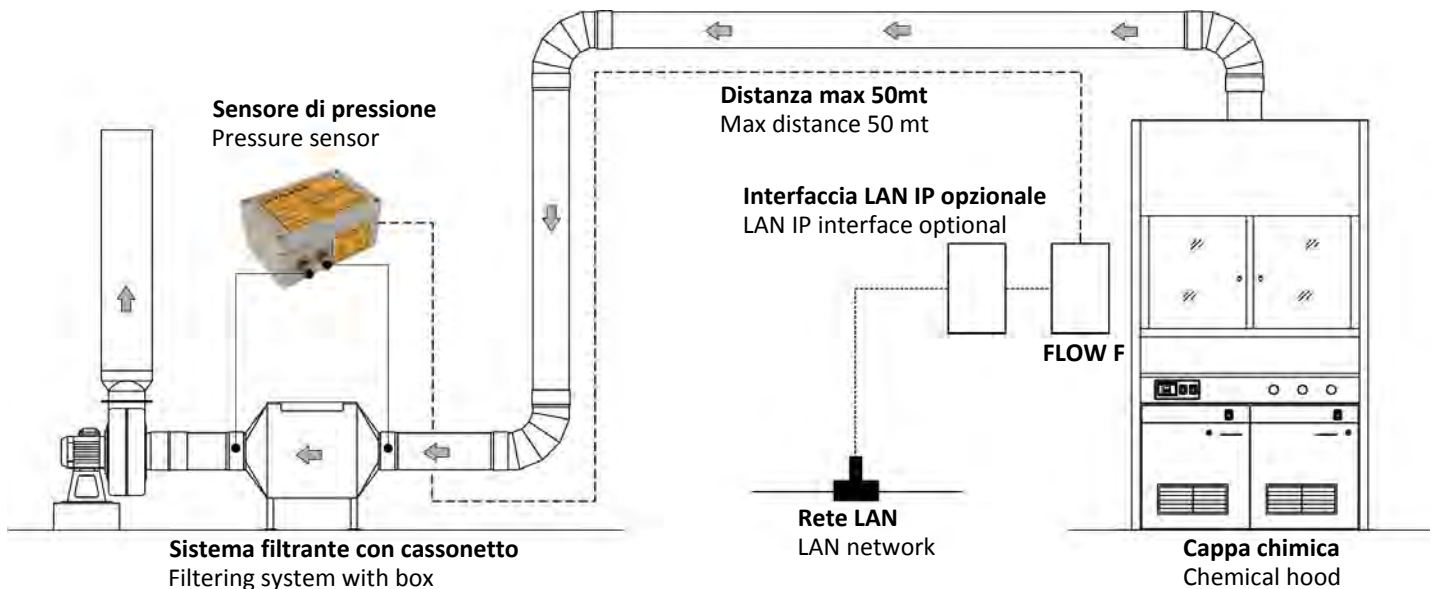
- 1/2 - On / Off
- 3 - Detected measure
- 4 - Filters expiry date
- 5 - Working hours limit exceeded
- 6 - Pressure difference over the setted limit
- 7 - Alarm silencer

**ACCESSORI CAPPE**  
Chemical hood accessories

**MA95  
EVO**

**MA90**

### INSTALLAZIONE TIPICA / Typical installation



# Cap SALISCENDI MOTORIZZATO

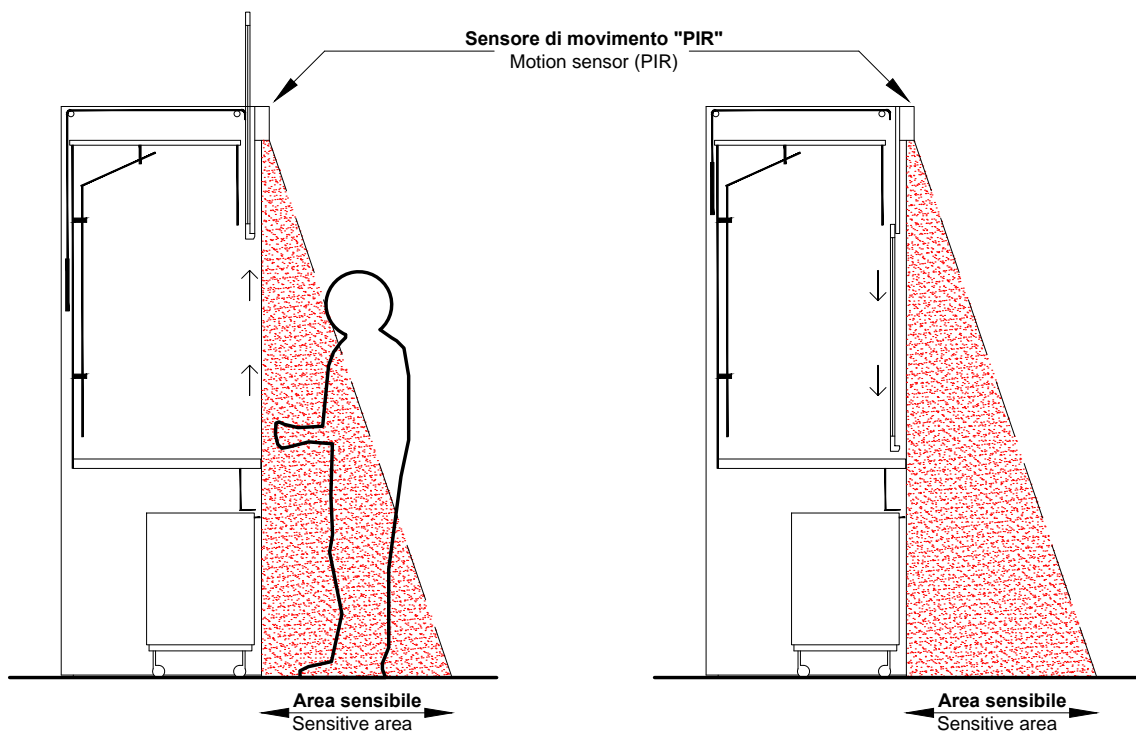
Accessori PIR  
Accessories PIR

## Motorized sash controls



**ACCESSORI CAPPE**  
Chemical hood accessories

**MA95  
EVO**





**MA95**  
**EVO**

**MA90**

- MA902503 - VSB 20 trifase hp 0,25 950 mc/ora**  
VSB 20 three-phase hp 0,25 950 mc/now
- MA902506 - VSB 25 trifase hp 0,75 1200 mc/ora**  
VSB 25 three-phase hp 0,75 1200 mc/now
- MA902509 - VSB 30 trifase hp 1,5 1500 mc/ora**  
VSB 30 three-phase hp 1,5 1500 mc/now

**Cap**

Accessori CAS  
Accessories CAS

## CASSONETTO PVC AI CARBONI ATTIVI

Activated charcoal filtering box



Filterbox / Filterbox



Installazione / Installation

**ACCESSORI CAPPE**  
Chemical hood accessories

**MA95  
EVO**

**MA90**

**MA902084 - CARB006PN cassonetto 6 filtri 900 mc/ora - L 125 - P 80 - H 70**

- CARB006PN activated charcoal filtering box 6 filters 900 mc/now - L 125 - P 80 - H 70

**MA902085 - CARB008PN cassonetto 8 filtri 1200 mc/ora - L 120 - P 63 - H 60**

- CARB008PN activated charcoal filtering box 8 filters 1200 mc/now - L 120 - P 63 - H 60

**MA902086 - CARB010PN cassonetto 10 filtri 1500 mc/ora - L 125 - P 80 - H 70**

- CARB010PN activated charcoal filtering box 10 filters 1500 mc/now - L 125 - P 80 - H 70

**MA902084RBAA - CARB006PR cassonetto PVC 6 filtri 900 mc/ora - L 125 - P 80 - H 70**

- CARB006PR activated charcoal filtering box 6 filters 900 mc/now - L 125 - P 80 - H 70

**MA902085RBAA - CARB008PR cassonetto PVC 8 filtri 1200 mc/ora - L 120 - P 63 - H 60**

- CARB008PR activated charcoal filtering box 8 filters 1200 mc/now - L 120 - P 63 - H 60

**MA902086RBAA - CARB010PR cassonetto PVC 10 filtri 1500 mc/ora - L 125 - P 80 - H 70**

- CARB010PR activated charcoal filtering box 10 filters 1500 mc/now - L 125 - P 80 - H 70

**RBAA = Per acidi / For acids**

# Cap

Accessori CAS  
Accessories CAS

## CASSONETTO PVC ai CARBONI ATTIVI (sopra cappa) Activated charcoal filtering box (positioned on the ceiling of the fume hood)

**TALASSI**  
ISO 9001 / ISO 14001 / OHSAS 18001



**ACCESSORI CAPPE**  
Chemical hood accessories

**MA95  
EVO**

**MA90**

- MA902300 - Cassonetto EBOX 6 celle carboni attivi NORMAL - L 52 - P 58 - H 58**  
- Activated charcoal filtering box, 6 filters NORMAL - L 52 - P 58 - H 58
- MA902301 - Cassonetto EBOX 6 celle carboni attivi RBAA - L 52 - P 58 - H 58**  
- Activated charcoal filtering box, 6 filters RBAA - L 52 - P 58 - H 58
- MA902305 - Cassonetto EBOX 8 celle carboni attivi NORMAL - L 52 - P 58 - H 58**  
- Activated charcoal filtering box, 8 filters NORMAL - L 52 - P 58 - H 58
- MA902306 - Cassonetto EBOX 8 celle carboni attivi RBAA - L 52 - P 58 - H 58**  
- Activated charcoal filtering box, 8 filters RBAA - L 52 - P 58 - H 58
- MA902310 - Cassonetto EBOX 10 celle carboni attivi NORMAL - L 52 - P 58 - H 58**  
- Activated charcoal filtering box, 10 filters NORMAL - L 52 - P 58 - H 58
- MA902311 - Cassonetto EBOX 10 celle carboni attivi RBAA - L 52 - P 58 - H 58**  
- Activated charcoal filtering box, 10 filters RBAA - L 52 - P 58 - H 58

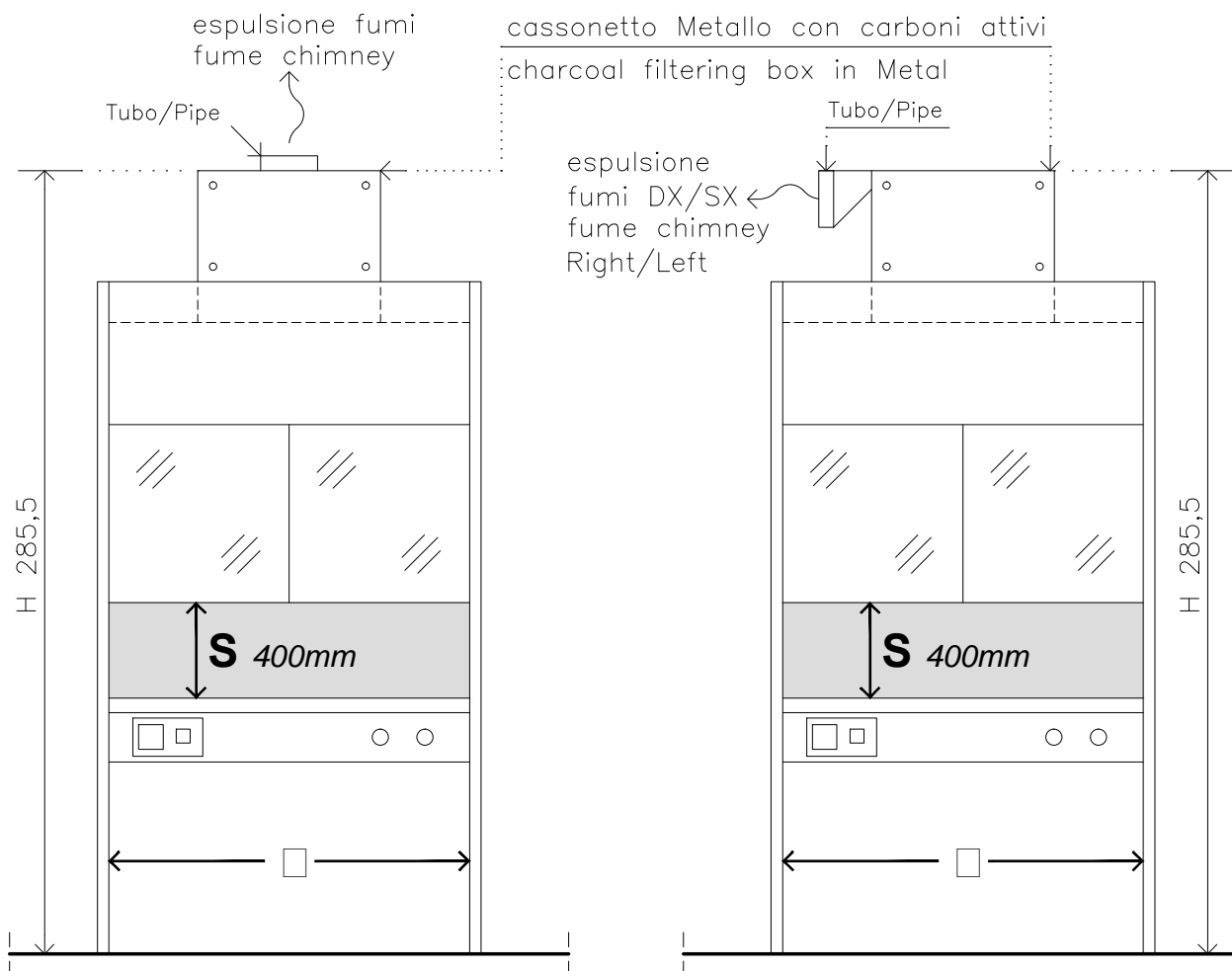
**RBAA = Per acidi / For acids**

# Cap

Accessori CAS  
Accessories CAS

## CASSONETTO in METALLO ai CARBONI ATTIVI (sopra cappa) Activated charcoal filtering box (positioned on the ceiling of the fume hood)

**TALASSI**  
ISO 9001 / ISO 14001 / OHSAS 18001



**ACCESSORI CAPPE**  
**Chemical hood accessories**

**MA95**  
**EVO**

**MA90**

# Cap FIRE STOP / Fire stop

Accessori CAS  
Accessories CAS

## UN SISTEMA COMPLETO DI RILEVAMENTO E SPEGNIMENTO PRONTO ALL'USO PER CAPPE ASPIRANTI

### A complete detection & suppression system pre-engineered for fume cabinets

- Installazione semplice / flessibile
- Spegnimento rapido ed efficace
- Elevata affidabilità: assenza di componenti elettrici o mobili
- Easy / Flexible installation
- Quick & Effective suppression
- Highly Dependable: no electricity or moving parts



**ACCESSORI CAPPE**  
Chemical hood accessories

**MA95  
EVO**

**MA90**

**TUTTO IL NECESSARIO IN UNA SCATOLA**  
Everything you need together in one box



**RIDUCE PERSINO I RISCHI DI INCENDIO PIÙ GRAVI PER LE CAPPE ASPIRANTI:**

- Agenti chimici infiammabili o reattivi vicino a fiamme libere
- Lesioni per il tecnico
- Danni alle apparecchiature e alle aree di laboratorio periferiche
- Fermo lavori
- Pulizia estesa se il sistema d'irrigazione viene azionato

**REDUCES EVEN THE MOST CRITICAL FUME HOOD FIRE RISKS:**

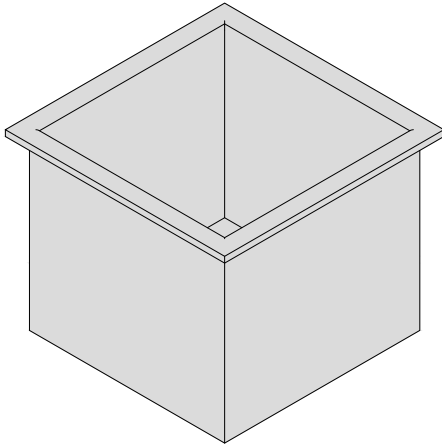
- Flammable or reactive chemicals near open flame
- Technician injury
- Damage to equipment and peripheral lab areas
- Work stoppage
- Extensive cleanup if sprinkler system actuates



# Cap VASCHE DA INCASSO

Accessori VAS  
Accessories VAS

## Built-in sinks



### VASCHE INOX AISI 304

Inox AISI 304 sinks

**MA907501**

**Dimensioni interne** |  $\varnothing 14 \times p \varnothing 14 \times h 15$   
Internal dimensions |  $\varnothing 14 \times p \varnothing 14 \times h 15$

**MA907502**

**Dimensioni interne** |  $23 \times p 33 \times h 20$   
Internal dimensions |  $23 \times p 33 \times h 20$

**MA907503**

**Dimensioni interne** |  $33 \times p 33 \times h 20$   
Internal dimensions |  $30 \times p 30 \times h 20$

**MA907504**

**Dimensioni interne** |  $40 \times p 40 \times h 20$   
Internal dimensions |  $40 \times p 40 \times h 20$

**MA907505**

**Dimensioni interne** |  $40 \times p 40 \times h 30$   
Internal dimensions |  $40 \times p 40 \times h 30$

**MA907506**

**Dimensioni interne** |  $50 \times p 40 \times h 30$   
Internal dimensions |  $50 \times p 40 \times h 30$

### VASCHE IN POLIPROPILENE

Polypropylene sinks

**MA907507**

**Dimensioni interne** |  $25 \times p 10 \times h 20$   
Internal dimensions |  $25 \times p 10 \times h 20$

**MA907508**

**Dimensioni interne** |  $30 \times p 30 \times h 20$   
Internal dimensions |  $30 \times p 30 \times h 20$

**MA907509**

**Dimensioni interne** |  $40 \times p 40 \times h 30$   
Internal dimensions |  $40 \times p 40 \times h 30$

**MA907510**

**Dimensioni interne** |  $50 \times p 40 \times h 30$   
Internal dimensions |  $50 \times p 40 \times h 30$

### VASCHE IN GRES MONOLITICO

Monolithic gres sinks

**MA907512**

**Dimensioni interne** |  $\varnothing 11 \times p \varnothing 11 \times h 11$   
Internal dimensions |  $\varnothing 11 \times p \varnothing 11 \times h 11$

**MA907513**

**Dimensioni interne** |  $25,5 \times p 11,5 \times h 10$   
Internal dimensions |  $25,5 \times p 11,5 \times h 10$

**MA907514**

**Dimensioni interne** |  $24,6 \times p 10 \times h 10,5$   
Internal dimensions |  $24,6 \times p 10 \times h 10,5$

**MA907515**

**Dimensioni interne** |  $24,8 \times p 24,8 \times h 17$   
Internal dimensions |  $24,8 \times p 24,8 \times h 17$

**MA907516**

**Dimensioni interne** |  $34,5 \times p 34,5 \times h 31$   
Internal dimensions |  $34,5 \times p 34,5 \times h 31$

**MA907517**

**Dimensioni interne** |  $39,2 \times p 39,2 \times h 31$   
Internal dimensions |  $39,2 \times p 39,2 \times h 31$

**MA907518**

**Dimensioni interne** |  $34,5 \times p 44,5 \times h 31$   
Internal dimensions |  $34,5 \times p 44,5 \times h 31$

**MA907519**

**Dimensioni interne** |  $39 \times p 48,5 \times h 31$   
Internal dimensions |  $39 \times p 48,5 \times h 31$

**MA907520**

**Dimensioni interne** |  $49 \times p 37 \times h 23,5$   
Internal dimensions |  $49 \times p 37 \times h 23,5$

### VASCHE RESINA EPOSSIDICA (DURCON)

Sinks in epoxy resin (Durcon)

**MA907550**

**Dimensioni interne** |  $30 \times p 15 \times h 15$   
Internal dimensions |  $30 \times p 15 \times h 15$

**MA907551**

**Dimensioni interne** |  $40 \times p 40 \times h 19$   
Internal dimensions |  $40 \times p 40 \times h 19$

**MA907552**

**Dimensioni interne** |  $45 \times p 35 \times h 26$   
Internal dimensions |  $45 \times p 35 \times h 26$

**MA907553**

**Dimensioni interne** |  $61 \times p 46 \times h 42$   
Internal dimensions |  $61 \times p 46 \times h 42$

### VASCHE CORIAN BIANCO

Sinks in white Corian

**MA907530**

**Dimensioni interne** |  $30 \times p 15 \times h 15$   
Internal dimensions |  $30 \times p 15 \times h 15$

**MA907535**

**Dimensioni interne** |  $40 \times p 40 \times h 25$   
Internal dimensions |  $40 \times p 40 \times h 25$

CAPPE CHIMICHE  
Chemical fume hood

MA95  
EVO

MA90

**Certificati / Certificates: EN 61010-1 / EN 16121**



**MA902180**

**Armadio basso aspirato - Metallo / Extraction filtering cabinet - Metal**  
**L 60 - P 45 - H 67**



**MA902190**

**Armadio basso aspirato - Metallo / Extraction filtering cabinet - Metal**  
**L 90 - P 45 - H 67**

**ACCESSORI CAPPE**  
**Chemical hood accessories**

**MA95**  
**EVO**

**MA90**

**Cap**

Armadi inf  
Cupboard fla

**ARMADI LINEA SAFETYBOX® (per infiammabili)**  
**Safetybox® for flammable products**

**Certificati / Certificates: EN 14470-1 / EN 16121**



**AC 600/50CM**  
**Armadio per infiammabili - 15 litri**  
Safety storage cabinet - 15 liters  
**L 59,5 - P 51/53 - H 60/62**  
**Peso / Weight : 100 KG**



**AC 600/50CMD**  
**Armadio per infiammabili - 15 litri**  
Safety storage cabinet - 15 liters  
**L 59,5 - P 51/58,5 - H 60/62**  
**Peso / Weight : 110 KG**



**AC 900/50CM**  
**Armadio per infiammabili - 25 litri**  
Safety storage cabinet - 25 liters  
**L 90 - P 51/53 - H 60/62**  
**Peso / Weight : 146 KG**



**AC 900/50CMD**  
**Armadio per infiammabili - 20 litri**  
Safety storage cabinet - 25 liters  
**L 90 - P 51/53 - H 60/62**  
**Peso / Weight : 146 KG**



**AC 1200/50CM**  
**Armadio per infiammabili - 30 litri**  
Safety storage cabinet - 30 liters  
**L 110 - P 51/53 - H 60/62**  
**Peso / Weight : 175 KG**



**AC 1200/50CMD**  
**Armadio per infiammabili - 30 litri**  
Safety storage cabinet - 30 liters  
**L 110 - P 51/53 - H 60/62**  
**Peso / Weight : 220 KG**



**AC 1200/50CMDD**  
**Armadio per infiammabili - 30 litri / Safety storage cabinet - 30 liters**  
**L 110 - P 51/58,5 - H 60/62 - Peso / Weight : 220 KG**

**ACCESSORI CAPPE**  
**Chemical hood accessories**

**MA95**  
**EVO**

**MA90**